

LAN Components

10BASE-2/5/T

Pulse Transformers

TLA-3T101/102/104/108

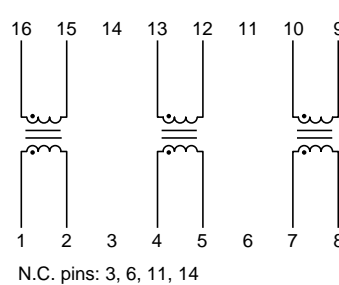
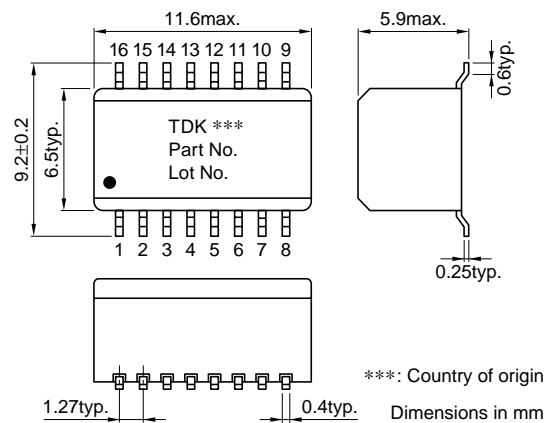
FEATURES

- 16-pin SOP package (1.27mm=50mil pin pitch).
- AC.2000V withstanding voltage.
- Using the high-quality and wide-band ferrite cores for LAN.
- Tape and reel packaging are available (TLA-3T10□-T: Tape and reel, TLA-3T10 □: Bulk).
- ISO9001/QS9000 quality standards certification.

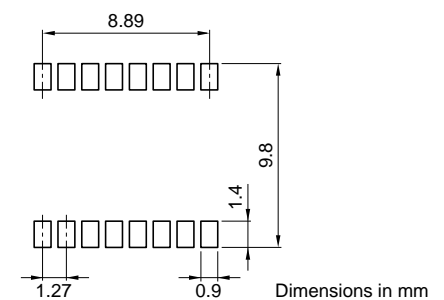
GENERAL SPECIFICATIONS

Pulse transformer	3
Port	1
Operating temperature range	0 to +70°C
Storage temperature range	-40 to +85°C
Withstanding voltage	Erms:2000V[60s]

SHAPES AND DIMENSIONS/CIRCUIT DIAGRAM



RECOMMENDED PC BOARD PATTERN



ELECTRICAL CHARACTERISTICS

Part No.	Turns ratio	Inductance (μ H)typ.[100kHz]	Leakage inductance (μ H)max.[100kHz]	Inter-winding stray capacitance (pF)max.[100kHz]	DC resistance (Ω)max.
	1,2:16,15	1-2	1-2[16-15 shorted]	1,2-16,15	1-2,16-15
	4,5:13,12	4-5	4-5[13-12 shorted]	4,5-13,12	4-5,13-12
	7,8:10,9	7-8	7-8[10-9 shorted]	7,8-10,9	7-8,10-9
TLA-3T101(-T)	1:1	100	0.25	10	0.35, 0.35
TLA-3T102(-T)	1:1	50	0.25	10	0.35, 0.35
TLA-3T104(-T)	1:1	150	0.35	12	0.40, 0.40
TLA-3T108(-T)	1:1	75	0.25	10	0.35, 0.35

- $T_a=25^\circ\text{C}$

LAN Components

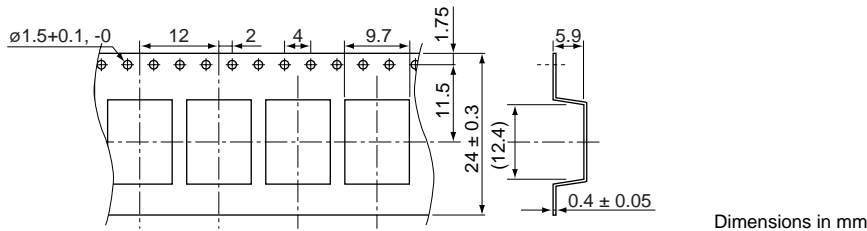
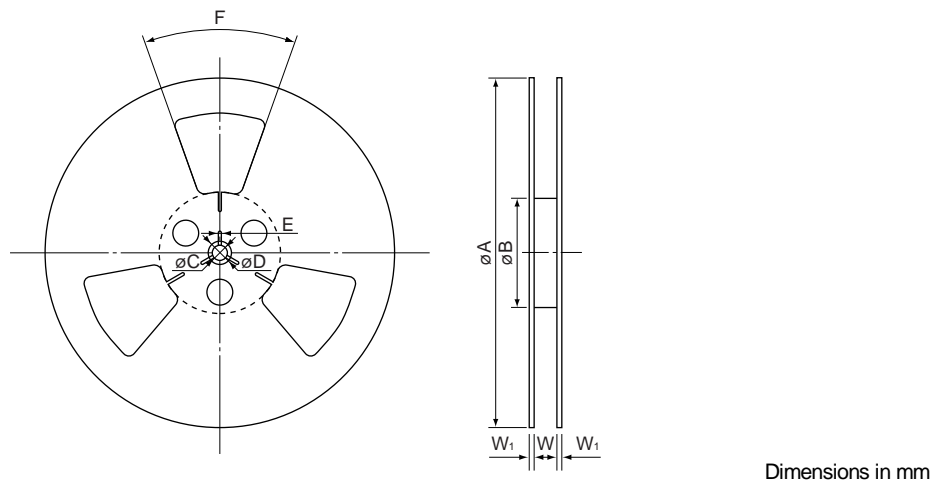
10BASE-2/5/T

Pulse Transformers

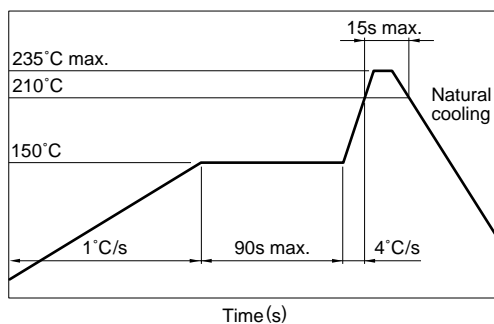
TLA-3T101/102/104/108

PACKAGING STYLES

Quantity : 1000pieces/reel

TAPE DIMENSIONS**REEL DIMENSIONS**

A	B	C	D	E	F	W	W ₁
$\phi 330 \pm 2$	$\phi 80 \pm 1$	$\phi 13.5 \pm 0.2$	$\phi 21 \pm 0.8$	2 ± 0.5	3-40°	$24.4 + 2, -0$	2 ± 0.5

RECOMMENDED SOLDERING CONDITION**REFLOW SOLDERING**

- Temperature is measured on the top of products body(Using thermocoupler for measurement).
- This profile is reference data we recommend. Please check in your actual process.